

## C515 NRS Resilient Seated Gate Valve Flanged Ends

**FIG. F0211-300**  
**FIG. F1211-250/200**

### Specifications

- Meet or exceed the requirements of AWWA C515 standard.
- Full Waterway.
- Handwheel or 2" Square Operating Nut.
- Rubber Fully Encapsulated Ductile Iron Wedge.
- Triple O-Ring Stem Seal.
- Face to Face Dimension comply with ASME B16.10 and EN558 Series 3.
- Flange and Drilling complies with ASTM B16.1 Class 125.
- UL/ULC 262 Listed, FM 1120/1130 Approved and GOST Certified.
- Certificated to ANSI/NSF 61 & 372.

### Corrosion Protection

- Fusion Bonded Coating Interior and Exterior meet or exceed all applicable of AWWA C550 Standard.

### Options

- 200 psi or 250 psi rated.
- ASTM B150 or other Standard Bronze Stem.
- ASTM A276 Type 316 Stem.
- Stainless Steel Fasteners: A2-70 or A4-70.
- Without Post Flange.
- Other Flange Types available upon request.

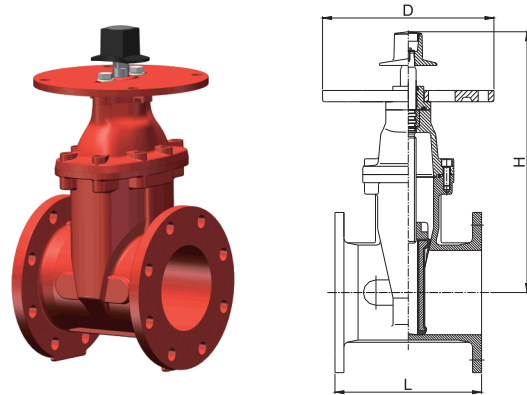
### Material Specifications

Part	Material	ASTM Specification
Body	Ductile Iron	A536 Grade 65-45-12
Wedge	EPDM Fully Encapsulated Ductile Iron	
Wedge Nut	Bronze	B148 C95200
Bonnet	Ductile Iron	A536 Grade 65-45-12
Stem	Stainless Steel	A276 Type 304
Gland	Ductile Iron	A536 Grade 65-45-12
Thrust Collar	Bronze	B148 C95200
Operating Nut	Ductile Iron	A536 Grade 65-45-12
Post Flange	Ductile Iron	A536 Grade 65-45-12
Fasteners	Carbon Steel	A307 Grade B
Body/Bonnet Gasket	EPDM	D2000

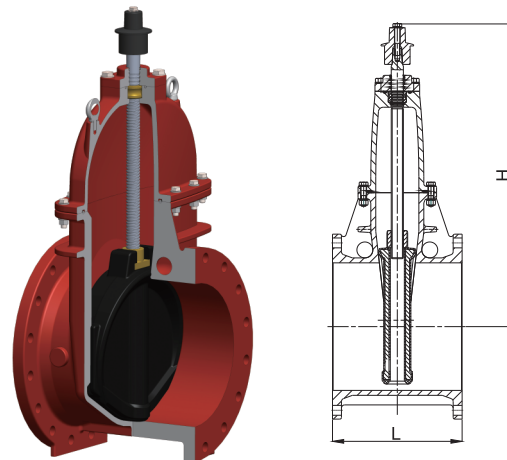
### Working Pressure and Temperature

- 300 psi rated @ -10°C to 82°C for 2" to 12"
- 250 psi rated @ -10°C to 82°C for 14" to 18"
- 200 psi rated @ -10°C to 82°C for 20" to 24"

### Schematic



**FIG. F0211-300 (Size 2" to 12")**



**FIG. F1211-250 (Size 14" to 18")**  
**FIG. F1211-200 (Size 20" to 24")**

### Main Dimensions (mm/inch)

Size	2	2.5	3	4	5	6	8
L	178/7.0	190/7.5	203/8.0	229/9.0	254/10.0	267/10.5	292/11.5
H	265/10.5	297/11.7	323/12.7	350/13.75	412/16.25	465/18.3	559/22.0
D	N/A	N/A	N/A	305/12.0	305/12.0	305/12.0	305/12.0

Size	10	12	14	16	18	20	24
L	330/13.0	356/14.0	381/15.0	406/16.0	432/17.0	457/18.0	508/20.0
H	635/25.0	724/28.5	876/34.5	940/37.0	1055/41.5	1150/45.3	1295/51.0
D	305/12.0	305/12.0	305/12.0	305/12.0	305/12.0	305/12.0	305/12.0

#### Notes

- 2" to 12" valves are GOST certified.
- 2.5" to 24" valves are UL/ULC listed.
- Designs, materials and specifications shown are subject to change without notice due to the continuous development of our products.