



# ACCESSORY LISTS

## CORRUGATED OPTIC DUCT

SYSTEM for CABLE PROTECTION

[WWW.OPTIROAD.COM](http://WWW.OPTIROAD.COM)

# Line Connector

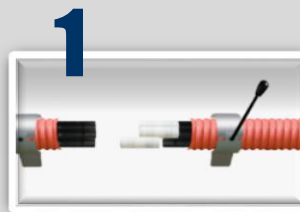
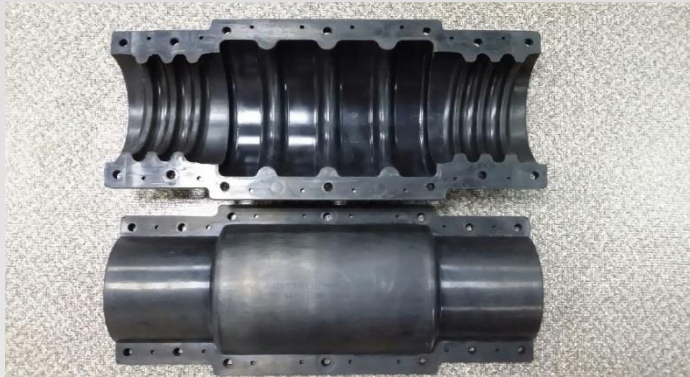
## for the Waterproofing & Air Blowing Installation

### ☑ Raw Materials

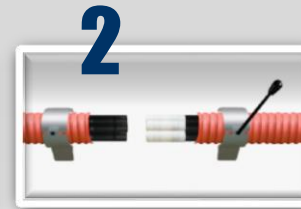
Outer duct fixing cover : EPDM RUBBER

Bolt/nut/washer ; Galvanized or SUS

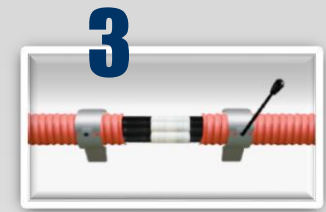
Inner socket : PC



1  
Peel off COD outer cover  
about pitches and  
arrange on the connecting  
jig



2  
Fitting the inner duct  
socket one side each  
inner duct



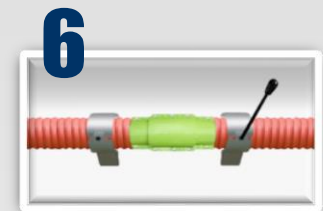
3  
Using connecting jig  
insert the socket in the  
both side inner duct



4  
After finishing the socket  
coupling, cover the outer  
fixing cover



5  
Tighten the bolt & nut



6  
Complete



# Various Manhole Connector

## ☑ INSERTING TYPE

- Body : ABS
- Cap : PP(PP 90% + PE 10%)
- Fixing cover : PP
- Gasket : EPDM RUBBER
- Application : **COD 28500**



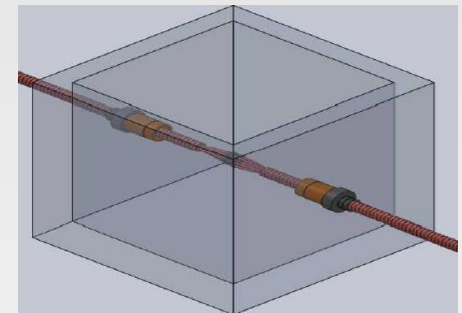
## ☑ SCREW TYPE

- Body : ABS
- Gasket : SWELLABLE LAYER
- Application : **COD 28500,32400,36300**



## ☑ COMPOSITE TYPE

- Body : HDPE
- Cap : EPDM RUBBER
- Band : Stainless steel
- Application : **MICRO COD**
- Used for Manhole or Line connection



# Coupler Set



**INNER DUCT END CAP**



**OUTER DUCT END CAP**



**PUSHFIT REDUCER**



**END CAP**



**PUSHFIT CONNECTOR**

# Connecting Tool(Outer Duct)

for the connecting



CONNECTING JIG

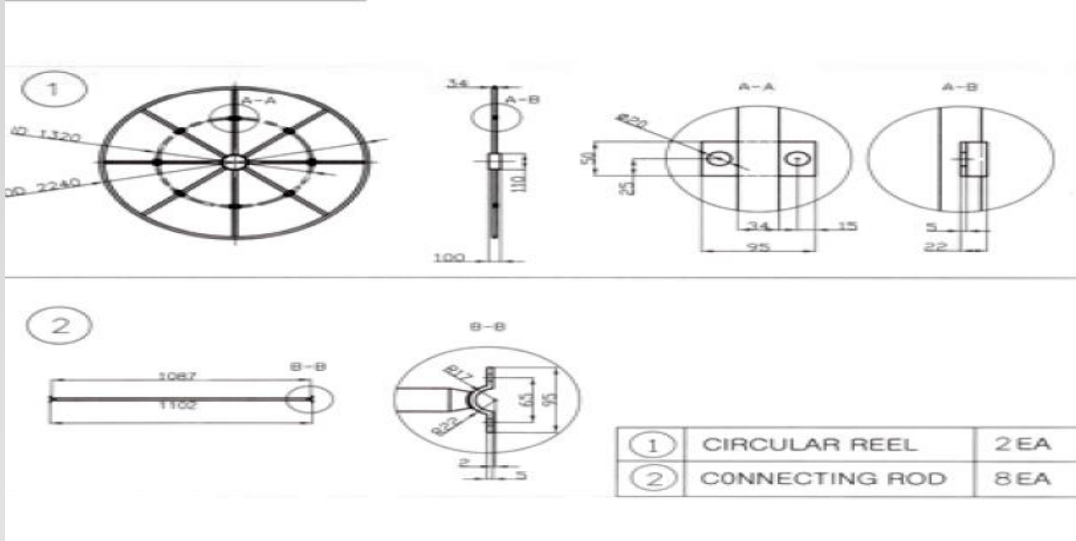


CUTTER



# Pulling Tool

## FABRICATED STEEL REEL



REEL STAY



# Cutting Tool(Inner duct)

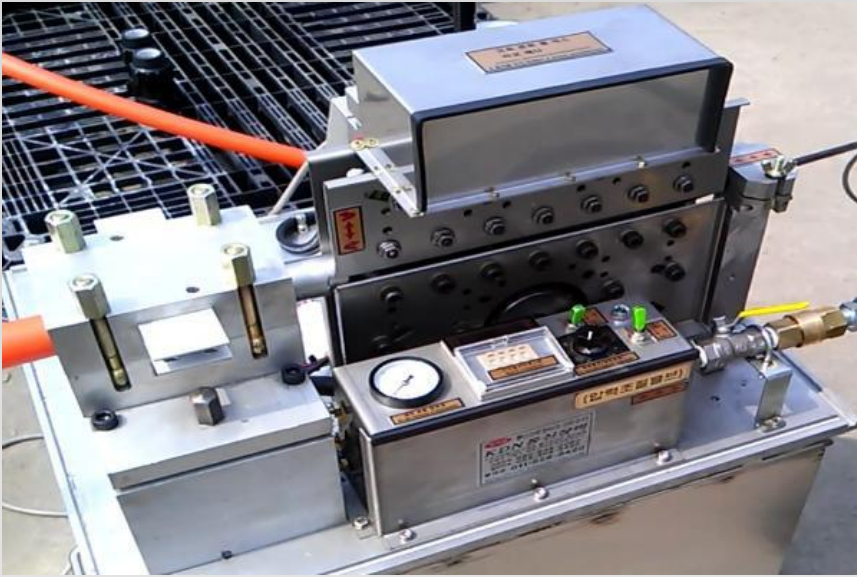


No	Tool Box List	Q'ty
①	Handy Saw	1ea
②	Belt Wrench	2ea
③	Rasp	1ea
④	Socket Wrench	1ea
⑤	Spanner	2ea
⑥	Pruning Shears	1ea
⑦	Tool Box	1ea



**TOOL BOX**

# Airblowing Machinery



**AIRBLOWING HEAD**



**COMPRESSOR**



**GENERATOR & LUBRICANT OIL**

