

# WATER METERS

## MJ-SDC G

### Multi-Jet Dry Type (Velocity)

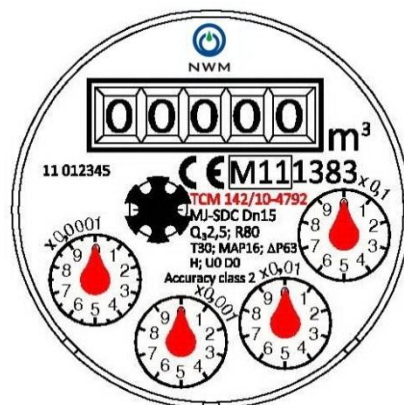


**NWM MJ-SDC G** is IMPELLER (turbine) water meter with magnetic transmission, dry type register for residential application with sizes from Dn15 to Dn40 designed by NWM and meets to the requirements of Directive 2004/22/EC on measuring instruments and of European Standard EN14154.

#### Characteristics:

- All the Materials in contact with water, consciously selected by the known resistance to corrosion;
- Cold water meter under current standard for lower than 30 °C (T30), but NWM MJ-SDC G can be used safely in water temperature up to 50 °C (T50);
- The **ROTARY** indicator register for the most comfortable reading position of 5 Rollers (Dn40 with 6 Rollers) and 4 Pointers;
- The Impeller is the only moving parts in contact with water permitting the most reliable;
- The extra inlet filter at the inlet of the meter body permits cleaning it without breaking the metrological seal;
- The conception of the Magnetic Protection to against the external influences;
- Non Return Valve to avoid the reserve flow Rate **AS OPTION**;

#### Dial Plate Design:



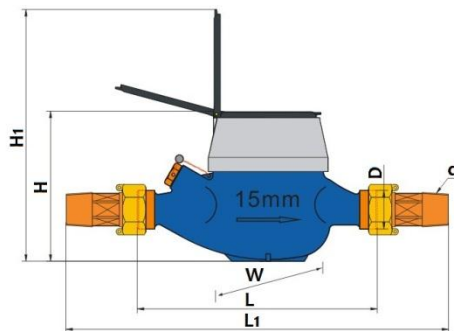
**NWM** - Ningbo Water Meter Co., Ltd.  
Add: No. 99, Beihai Road Ningbo 315033 China  
Tel/Fax: +86 574 87331095/87376630  
Website: [www.chinawatermeter.com](http://www.chinawatermeter.com)  
E-mail: [wzhnbwm@vip.163.com](mailto:wzhnbwm@vip.163.com)



# WATER METERS

## MJ-SDC G

### Dimension:



Size	Dn15	Dn20	Dn25	Dn32	Dn40
L	165/190	190	260	260	300
L1	259	294	380	384	431
D	G3/4B	G1B	G1-1/4B	G1-1/2B	G2B
d	R1/2	R3/4	R1	R1-1/4	R1-1/2
H	103	103	120	120	149
H1	174	174	190	190	215
W	82	82	97	97	113

L1: the total length with connection and the gasket without compression.

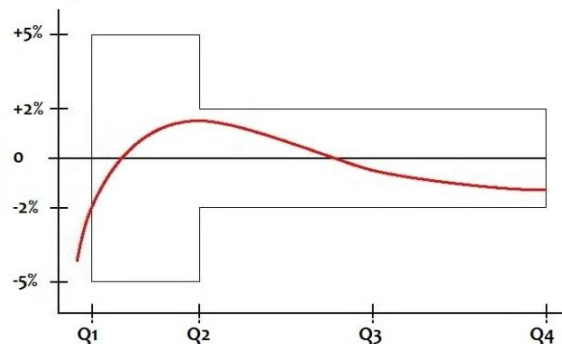
### Main Technical Data:

Size	mm	Dn15	Dn20	Dn25	Dn32	Dn40
R	Q3/Q1	80				
Q4	m <sup>3</sup> /h	3,125	5	7,875	12,5	20
Q3	m <sup>3</sup> /h	2,5	4	6,3	10	16
Q2	l/h	50	80	126	200	320
Q1	l/h	31,25	50	78,75	125	200
Max. Reading	m <sup>3</sup>	99999.9999				999999.9999
Min. Reading	Liter	0.05				
Pressure Loss	ΔP	<63				
Max. Pressure	MAP	MAP16				
Max. Temperature	°C	T30 or T50				

### Max. Permission Error:

From Q1 inclusive up to but excluding Q2 is ± 5%;

From Q2 inclusive up to and including Q4 is ± 2% for T30 and ± 3% for T50;



**NWM** - Ningbo Water Meter Co., Ltd.  
 Add: No. 99, Beihai Road Ningbo 315033 China  
 Tel/Fax: +86 574 87331095/87376630  
 Website: [www.chinawatermeter.com](http://www.chinawatermeter.com)  
 E-mail: [wzhnbwm@vip.163.com](mailto:wzhnbwm@vip.163.com)



# WATER METERS

## MJ-SDC G

### OPTION VISION of MJ-SDC G:

- PULSE OUTPUT PRE-EQUIPPED OR PULSE OUTPUT VISION:
  - The Pulse Emitter Device consists of a plastic housing with Reed Switch, and 1,5 m cable with 2 cores in Red and Black.
  - Option with 2 reed switches and 1,5 m cable with 3 cores in Red, Black and Blue;
  - Electric Data:  $V_{max}=24AC/DC$ ;  $I_{max}=0,01A$
  - Capacity of the Pulse Emitter:

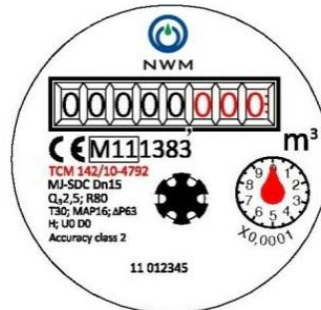
Magnet Position	Liter/Pulse
x0,0001	1
x0,001	10
x0,01	100
x0,1	1000



- VISION of COPPER CAN REGISTER with IP68 protection;



- VISION of 5 BLACKS ROLLERS, 3 RED ROLLERS and 1 RED INDICATOR POINTER for Dn15 to Dn32 and 6 BLACKS ROLLERS, 2 RED ROLLERS and 2 RED INDICATOR POINTERS for Dn40;



- VISION of the inclined register;



**NWM** - Ningbo Water Meter Co., Ltd.  
 Add: No. 99, Beihai Road Ningbo 315033 China  
 Tel/Fax: +86 574 87331095/87376630  
 Website: [www.chinawatermeter.com](http://www.chinawatermeter.com)  
 E-mail: [wzhnbwm@vip.163.com](mailto:wzhnbwm@vip.163.com)

