

WATER METER IRON BOX



YIER METER BOX-IRON is designed by Yier Industrial Limited company to protect the water meter from unauthorized access and damage.



YIL - Yier Industrial Limited
Add: Yihe Industry Zone, Jinnan
District, Tianjin City, Popular Republic
of China Website: www.sinoyier.com

YIER
YIER INDUSTRIAL LIMITED

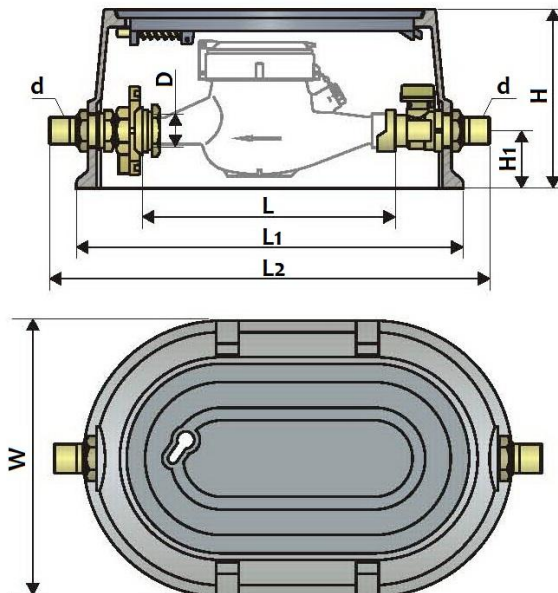
WATER METER IRON BOX

ITEM NO	DESCRIPTION
1	KEY
2	LID of the METER BOX with LOCK SYSTEM
3	METER BOX
4+5+6	OUTPUT NIPPLE
7+8+9+10	EXPANSION JOINT
11+12+4	INLET NIPPLE with BALL VALVE

Characteristics:

- All the Materials consciously selected by the known resistance to corrosion, and strongest material for longer term life;
- All the parts is easy to dismantle and re-installed, the most convenient replacement for the water meter inside;
- Special locking mechanism , requiring a tailor-made key to open the lid;
- Expansion joint with the function to calibrate the length;
- High Quality ball shut off valves without rising headparts which can cause leaks;
- Suitable for use in heavy traffic situations;

Dimension:

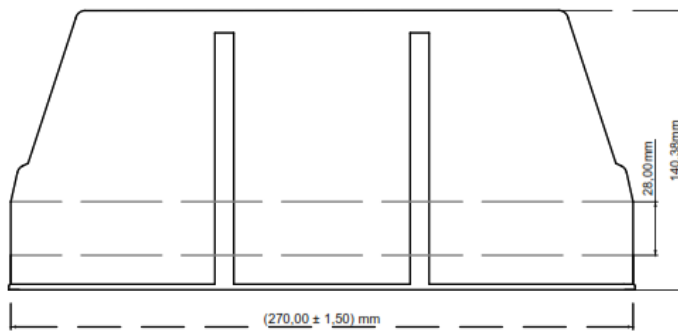


Size	Dn15
Item	MBI-MJ15
L	190
L1	270
H1	45
H	130
W	195

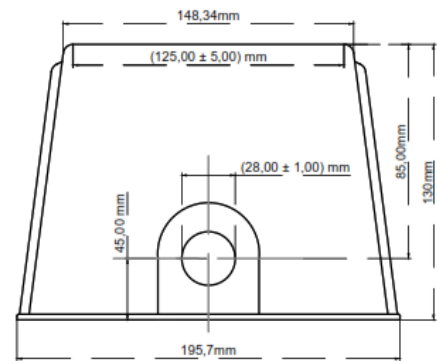
“L2” is the total length with the gaskets without compression.

WATER METER IRON BOX

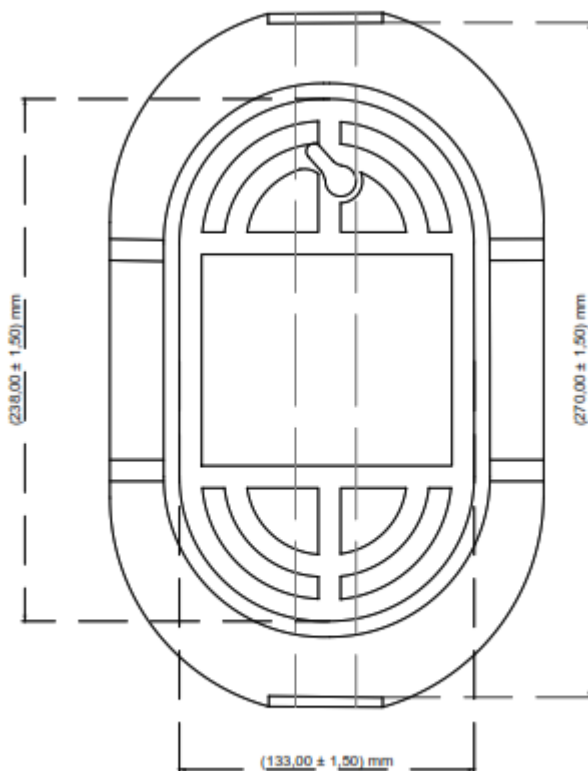
Detail Dimension for Meter Box:



Side View



Front View



View in floor

Installation:

The water meter and the nipples should be installed with the direction of the flow as indicate by the arrow cast or injection on the parts, please check the detail form the Installation Instruction.